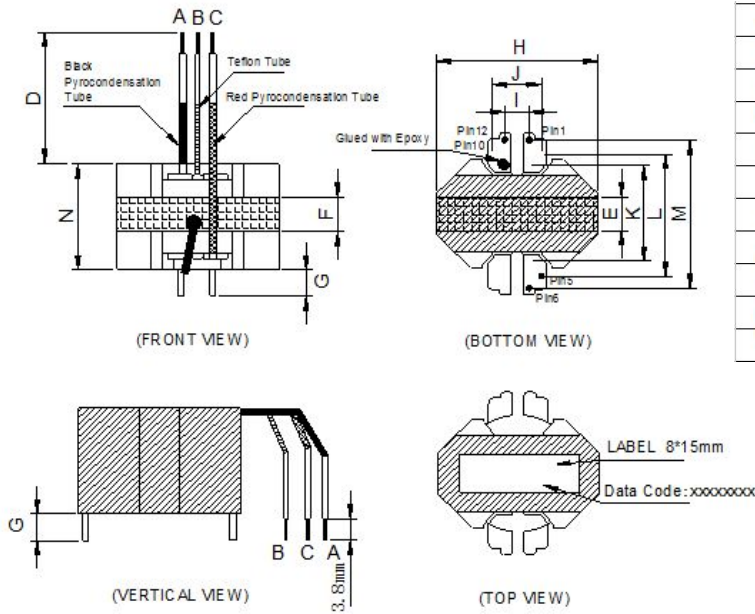


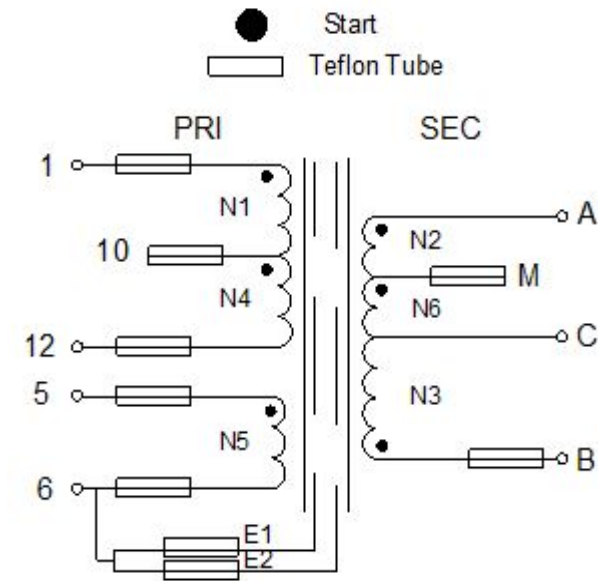
| | | |
|-------------------|------|---------------|
| CUSTOMER TERMINAL | ROHS | Lead(Pb)-free |
| | YES | YES |

1. Mechanical Dimensions



| | | |
|---|------|------|
| D | 40.0 | MAX |
| E | 3.0 | MAX |
| F | 5.0 | MAX |
| G | 3.8 | ±0.5 |
| H | 23.2 | MAX |
| I | 3.5 | MAX |
| J | 7.2 | MAX |
| K | 14.4 | MAX |
| L | 18.0 | MAX |
| M | 21.6 | MAX |
| N | 16.4 | MAX |

2. Schematic Diagram



3. Material List

Core:FW44 RM8
 Bobbin:FWB0804(6+6PIN)
 Wire:2UEW TIW
 Copper foil: 0.025t*3.0/5.0mm
 Operating Temperature: -30 to115 °C

4. Electrical Specification

Inductance : L(1-12):430uH±5% 100KHZ , 1.0V
 Leakage inductance: 10uH MAX 100KHZ , 1.0V
 DCR : (12-1)=0.55Ω MAX
 Hi-Pot:P-S: AC 60Hz 4000V 1mA 3S
 S-CORE:AC 60Hz 4000V 1mA 3S

| | | | | | | |
|------|-------|--------------------------|--|------|----------------|--------------|
| REV. | DATE | Convention Placement | DRW. | | Drawing Title: | Part No: |
| 0 | 00/00 | | CHK. | | | |
| ROHS | | | www.ferriwo.com | APP. | | Customer P/N |